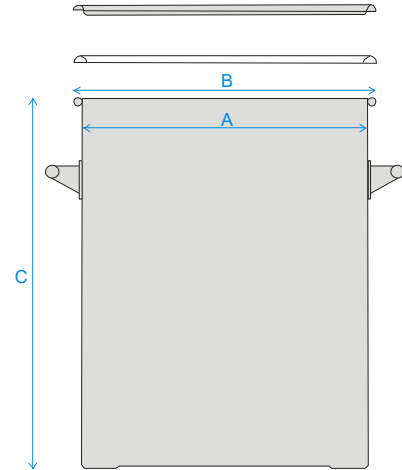


1. Part Number: A126-50

2. Photograph:



3. Product Information:

Description

Stainless Storage Drum 50L

Materials of Construction:

- Body: 316L stainless steel
- Lid: 316L stainless steel
- Clamp: 304 stainless steel
- Handles: 304 stainless steel
- Gasket: Silicone (FDA 177.2600 compliant & BSE/TSE free)

Nominal Volume:

50 Litres

Brimful Volume:

52 Litres

Method of Construction:

Welds ground and polished

Surface Finish:

Better than 0.5 microns Ra

Dimensions

A = 394 mm
B = 414 mm
C = 430 mm

Drum Wall Thickness:

1.2mm

Graduation Marks:

None

Handles:

2 side handles welded onto patch plates

Weight:

8.6 Kg (body + gasket + lid + clamp)

BSE/TSE statement:

All polishing compounds used in the manufacture of this product are of vegetable origin.

Recommended Storage Conditions:

Dry and ambient temperature

4. Approval:

Signed:



Name: Kuldeep Flora

Position: Quality Manager

Date: 14-Aug-20



Wolflabs

Wolf Laboratories Limited

www.wolflabs.co.uk

Tel: 01759 301142

Fax: 01759 301143

sales@wolflabs.co.uk



Use the above details to contact us if this literature doesn't answer all your questions.

Pricing on any accessories shown can be found by keying the part number into the search box on our website.

The specifications listed in this brochure are subject to change by the manufacturer and therefore cannot be guaranteed to be correct. If there are aspects of the specification that must be guaranteed, please provide these to our sales team so that details can be confirmed.

